

TLH-38H
SNOW PLOW DOT HEADLAMPS
WITH THRUST-HEATED LENS



WORKING VOLTAGE: 10-30 VDC

POWER: 30 WATTS

COLOR TEMPERATURE: 6000K

AUTOMATIC THERMO-CONTROLLED THRUST-HEATED LENS

DOT CERTIFIED

5-FUNCTIONS: HI/LOW, RUNNING LIGHTS, TURN SIGNAL, PARKING

90 DEGREE (VERTICAL TO HORIZONTAL) MOUNTING BRACKET

WATERPROOF IP69

10FT HARNESS WITH SEALED DEUTSCH PLUGS

STAINLESS STEEL SUPER-DUTY MOUNTING BRACKETS

TRITON 3-YEAR WARRANTY

SNOW PLOW AND SALT SPREADER LAMPS



TLL-16A

**CONTINUOUS 1,260 LUMENS
AMBER WORKLAMP
DIMENSIONS: 5" x 4" x 2" (H/W/D)**

TLB-80LPY

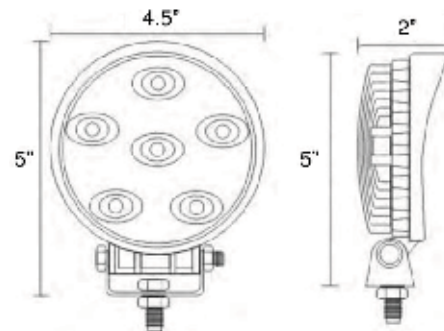
**CONTINUOUS 7,200 LUMENS
TLB-160LPY
CONTINUOUS 14,400 LUMENS
SELECTIVE YELLOW
SNOW DRIVING LIGHT-BARS**

TWL-6A

**1,260 LUMENS QUAD-FLASH
AMBER STROBE
DIMENSIONS: 5" x 4" x 2" (H/W/D)**

SPECIFICATIONS

**High-Intensity CREE LED's
10 to 30 Volts Operation
Waterproof to IP67
Reverse Polarity Protected
Rugged Cast-Alloy Housing
Shatterproof Polycarbonate Lens**



BELOW IMAGES SHOW THE EFFECT ON DRIVING-VISION OF WHITE VERSUS YELLOW LAMPS IN SNOW



Triton 10-Year Limited Warranty

SNOW PLOW AND SALT SPREADER LAMPS



27 WATTS
WHITE AND YELLOW



**YELLOW/
CLEAR COMBO
LAMP**

TLL-27YW

SPECIFICATIONS
Shatterproof Polycarbonate Lens
Rugged Aluminum Housing High
Intensity CREE LEDs
Intensity: 2,100 Lumens
10 to 30 Volts D.C.
Waterproof to IP69 Dimensions:
4.5" x 4.5" x 2.4"

40 WATTS
HEATED LENS



**HEATED
LENS**

TLL-40H

SPECIFICATIONS
Shatterproof Polycarbonate Lens
Rugged Aluminum Housing High
Intensity CREE LEDs
Intensity: 4,100 Lumens
10 to 30 Volts D.C.
Waterproof to IP69 Dimensions:
4.5" x 4.5" x 2.4"

50 WATTS
SELECTIVE YELLOW



TLL-50Y

SPECIFICATIONS
Shatterproof Polycarbonate Lens
Rugged Aluminum Housing High
Intensity CREE LED
Intensity: 4,800 Lumens
10 to 30 Volts D.C.
Waterproof to IP69 Dimensions:
4.5" x 4.5" x 2.4"