

# SNOW PLOW AND SALT SPREADER LAMPS



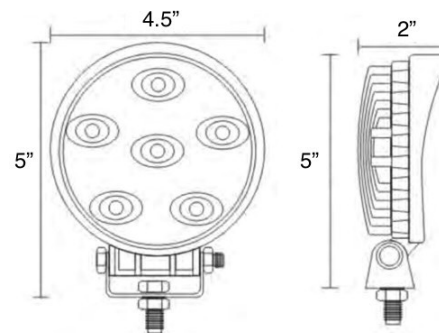
**TLL-16A**  
CONTINUOUS 1,260 LUMENS  
AMBER WORKLAMP

**TLB-80LPY**  
CONTINUOUS 7,200 LUMENS  
TLB-160LPY  
CONTINUOUS 14,400 LUMENS  
SELECTIVE YELLOW  
SNOW DRIVING LIGHT-BARS

**TWL-6A**  
1,260 LUMENS QUAD-FLASH  
AMBER STROBE

## SPECIFICATIONS

High-Intensity CREE LED's  
10 to 30 Volts DC Operation  
Waterproof to IP67  
Reverse Polarity Protected  
Rugged Cast-Alloy Housing  
Shatterproof Polycarbonate Lens



BELOW IMAGES SHOW THE EFFECT ON DRIVING-VISION OF WHITE VERSUS YELLOW LAMPS IN SNOW



WHITE LAMPS IN SNOW



YELLOW LAMPS IN SNOW

All Triton Work-Lamps Carry a 10 Year Warranty