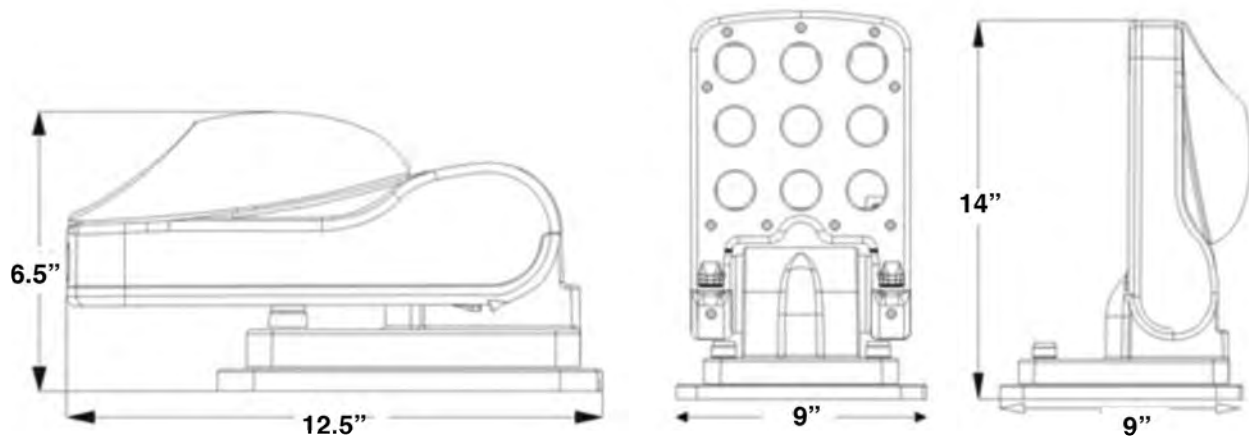


TRITON “PANTHER” TRL-45 RADIO CONTROLLED WORK LAMP



FULLY REMOTE CONTROLLED UP TO 100 FT AWAY
SELF PARKING FEATURE
POWERFUL 3,240 LUMENS LED SPOT-LAMP



Voltage	DC12/24V
Power	35W
Light Source	LED
Lumens	3240 Lm
Remote Control Distance	>30m (up to 100m)
Waterproof	IP65
Working Temperature	-40° to +55C
Size	12.5" x 9" x 7" (folded down)